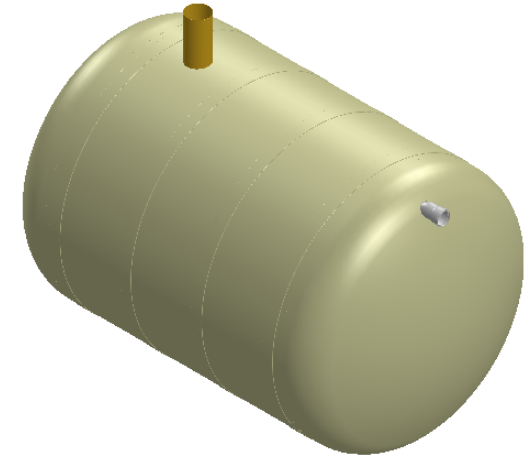
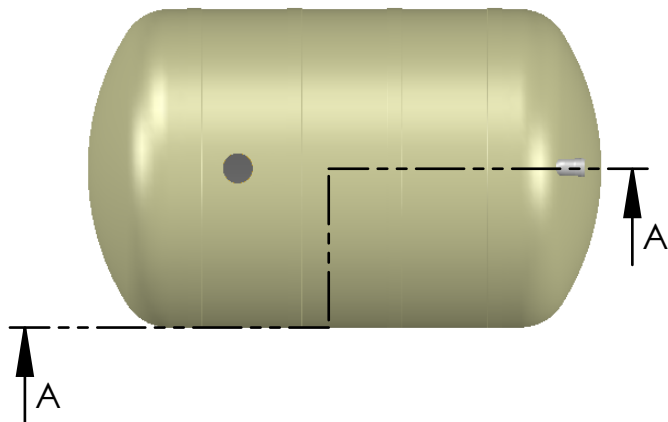


SECTION A-A



ITEM NO.	PART NAME	DESCRIPTION	QTY.
1	Inlet sewer	ϕ 110	1
2	Tank housing	ϕ 2100 x 3100	1
3	Drain sewer	ϕ 200 , Height as needed	1
4	Top cover	Cast iron or plastic	1

STEELMAN
 Steelman OÜ
 tel: +372 5163 111
 info@steelman.ee

Title
10m3 Waste water tank
 A4
 SCALE:1:50
 SHEET 1 OF 1
 Article no.M10